

# Component Video to HDMI Converter with Local loop Component output

ITEM NO.: YH01



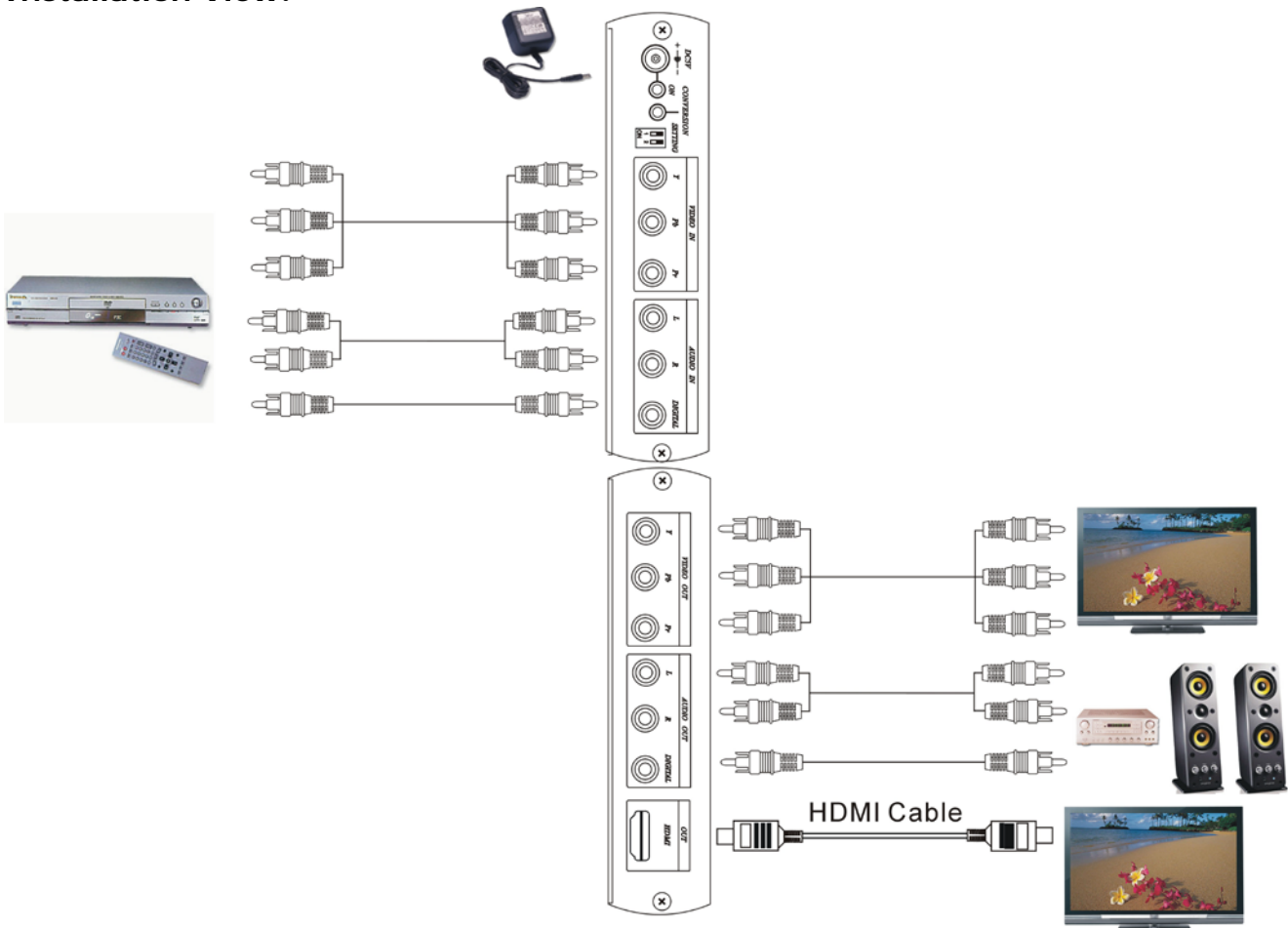
YH01 Component Video to HDMI Format converter allow to convert Component Analog Video (YPbPr) + Analog Audio/Digital Audio to HDMI. This converter allows older analog devices to be integrated seamlessly into the modern home theater. It also takes analog stereo audio/digital audio and encodes it onto the HDMI signal for the full HDMI video and audio effect.

This product converts the Component Video signal to HDMI at the resolution of the component video source. If the component video source is set to 480i, 720p or 1080i, 1080p, then it will convert to HDMI at the same corresponding resolution.

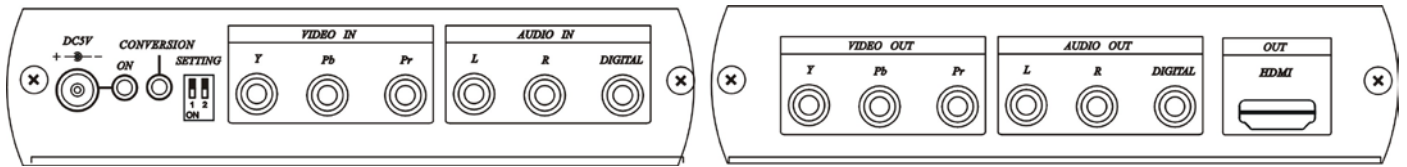
## Features:

- Convert Component Video (YPbPr) & stereo/digital (SPDIF) audio to HDMI display.
- Built in local component video loop output with stereo/Digital (SPDIF) audio.
- Encodes analog stereo audio or digital audio onto the video signal for HDMI video and audio.
- Supports HDTV resolution up to 1080p.

## Installation View:



## Panel View:



Resolution /Frequency	50Hz	60Hz	
480i		•	720 x 480, Interlace
576i	•		720 x 576, Interlace
480p		•	720 x 480, Progressive
576p	•		720 x 576, Progressive
720p	•	•	1280 x 720, Progressive
1080i	•	•	1920 x 1080, Interlace
1080p		•	1920 x 1080, Progressive

## Dip Switch Setting:

### DIP SW

- 1 Audio input: ↑ Analog audio input, ↓ Digital audio input (SPDIF).
- 2 x (no function).

## LED Indication:

ON                      Power on  
 Conversion          Signal convert

## Caution:

1. This converter support HDMI output at different resolution, but request your TV/ Monitor also support the resolution for display.
2. SPDIF audio input only support "48K 16Bit LPCM". The audio output will occur noise by other audio format.

## Specification:

ITEM NO.	YH01
Input Signal	YPbPr(1920x1080 Max), stereo audio /digital audio
Video Input Connector	Y (75Ω, 1.0Vp-p), PbPr (75Ω, 0.7Vp-p)
Digital Audio Input	SPDIF RCA, 75Ω x 1
Video Output Signal	HDMI A type connector x 1
Power Consumption	800mA
Power Supply	DC 5V 2 Amp
Temperature	Operation: 0 to 55°C, Storage: -20 TO 85°C, Humidity: up to 95%
Dimension mm	140 x 95 x 32
Weight g	300



Rev. B