

HD CVI/TVI/AHD TWISTED PAIR TRANSMISSION SYSTEM

Passive Series

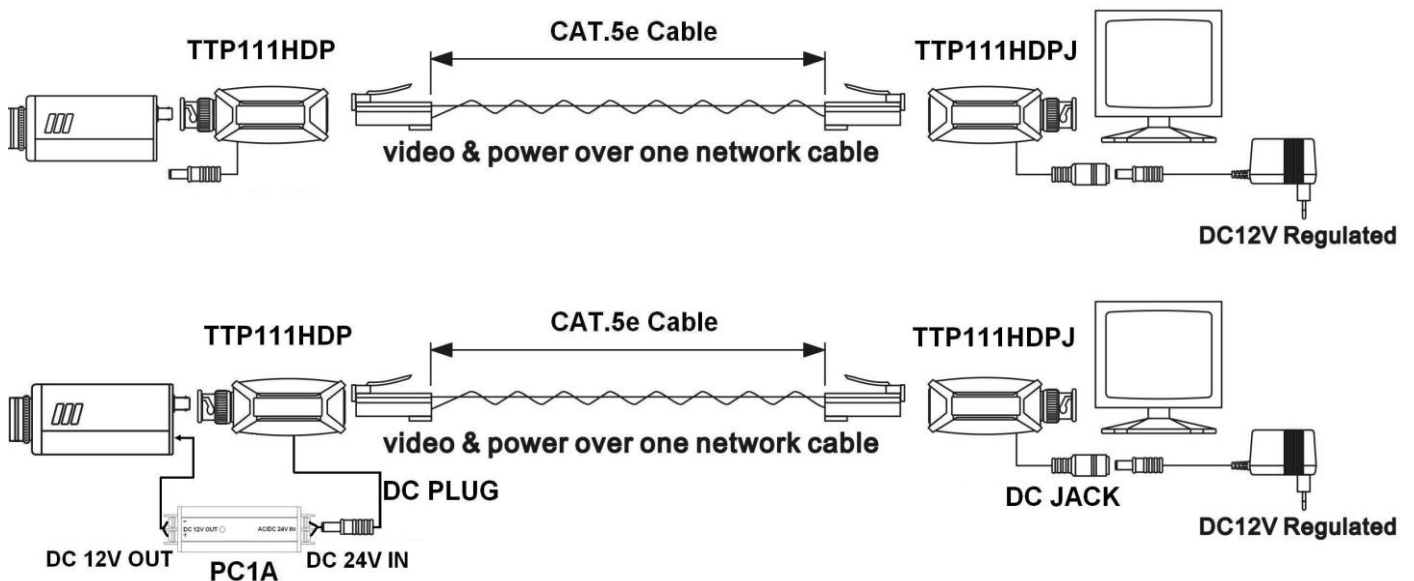
ITEM NO.: TTP111HDPK HD-CVI/TVI/AHD Video & Power Transceiver



Features:

- Transmit HD-CVI/TVI/AHD video and power over one CAT5e cable.
- Include 2 units: 1 x RJ45 to BNC with DC power plug, 1 x RJ45 to BNC with DC power jack.
- Eliminate coaxial & power cable.
- Fast, easy installation, saving time and money.
- Substantial saving on the cost of the cable itself.
- ◆ Substantial saving on the cost of the cable itself.
- ◆ Built in ESD, EFT (impulse noise) and transient protection.

Installation View:



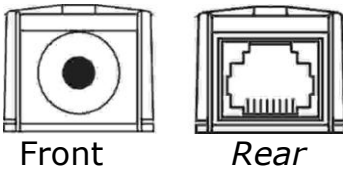
- ◆ Remote Power by DC24V/AC24V, please use our model no: PC500/PC1A power converter (AC to DC for regulated DC12V) at camera side to send regulated DC12V for camera use.

Distance Chart:

For more power distance chart, please refer to page 3.

Cable	Power supply	Camera Power Consumption	TVI Camera Distance	AHD, HD-CVI Camera Distance	Power Output Voltage
CAT5e	DC12V	200mA	150M	150M	10.2V
		300mA	100M	100M	10.2V
	DC24V/ AC24V	200mA	250M	300M	22.6V
		300mA	200M		21V

Panel View:



Front

Rear

RJ-45 Jack Pin Define

RJ45 Jack		
PIN	Color	Function
1	W-O	X
2	O	X
3	W-G	Power -
4	BL	Power +
5	W-BL	Power -
6	G	Power +
7	W-BR	Video +
8	BR	Video -

Recommend Cable:

Use high quality CAT5e UTP or CAT6 UTP cable. The max working distance is 300M for AHD, CVI camera, HD-TVI max. distance is 250M. The distance may be affected by the quality of cable, camera, DVR.

Caution:

1. The cabling must be away from any equipment with electromagnetic wave, i.e.: microwave, mobile phone, radio equipment, high voltage power cable.
2. Remote Power by DC24V/AC24V, please use our model no: PC500/PC1A power converter (AC to DC for regulated DC12V) at camera side to send regulated DC12V for camera use.

Specification:

ITEM NO.	TTP111HDP	TTP111HDPJ
Video Input / Output Terminals	BNC x 1 (1 Vp-p · 75 Ohm)	
Video Output / Input Terminals	RJ45 x 1 (100 Ohm)	
Power	DC-PLUG	DC-JACK
Bandwidth	50Hz ~ 60MHz (-3dB)	
Transmission Distance	HDCVI/AHD: 300M, HD-TVI: 250M	
ESD protection	30 KV(Air) · 15 KV (Contact) ; IEC 61000-4-2 compliant	
EFT protection	40A(5/50ns) ; IEC 61000-4-4 compliant	
Lightning protection	2A (8/20µs) ; IEC 61000-4-5 compliant	
Surge Protection Attack Time	< 1 nS	
Environmental Specifications	Operation: 0 to 55°C, Storage: -20 to 85°C, Humidity: up to 95%	
Dimension mm	69 x 25 x 20.7 + 140mm power cord	
Weight g	37 g	



Rev. A

Voltage Drop According to Cable Length (24AWG):

Voltage	Power Supply Voltage 12 Volts DC		
Range	50M	100M	300M
Power Consumption	2 PAIR	2 PAIR	2 PAIR
50mA	11.7	11.3	10.6
100mA	11.5	10.8	9.2
150mA	11.2	10.4	
200mA	11	9.9	
250mA	10.7	9.4	
300mA	10.5		
350mA	10.3		
400mA	10		
450mA	9.6		
500mA	9.2		

Voltage	DC15V			
Range	50M	100M	300M	600M
Power Consumption	2 PAIR	2 PAIR	2 PAIR	2 PAIR
50mA	14.7	14.3	13.6	12
100mA	14.5	13.8	12.2	X
150mA	14.2	13.4	11.1	X
200mA	14	12.9	X	X
250mA	13.7	12.4	X	X
300mA	13.5	12	X	X
350mA	13.3	11.7	X	X
400mA	13	11.2	X	X
450mA	12.7	10.7	X	X
500mA	12.4	X	X	X

Voltage	DC24V			
Range	50M	100M	300M	600M
Power Consumption	2 PAIR	2 PAIR	2 PAIR	2 PAIR
50mA	23.8	23.5	22.4	21.2
100mA	23.4	23.1	21.1	18.7
150mA	23.2	22.6	20	16.1
200mA	22.9	22	18.1	13.5
250mA	22.6	21.6	17.4	11.1
300mA	22.4	21.2	16.1	X
350mA	22.1	20.6	15	X
400mA	21.8	20.1	13.9	X
450mA	21.6	19.6	12.7	X
500mA	21.3	19.1	11.3	X

AC24V Power Distance Chart over UTP cable:

CAT5 Cable (24AWG)	Range
2 PAIRS/AC24V	
100 mA	300 Meters
300mA	100 Meters
1 Amp	30 Meters